

STRUCTURAL ENGINEERING



APPLICATION
PORTFOLIO

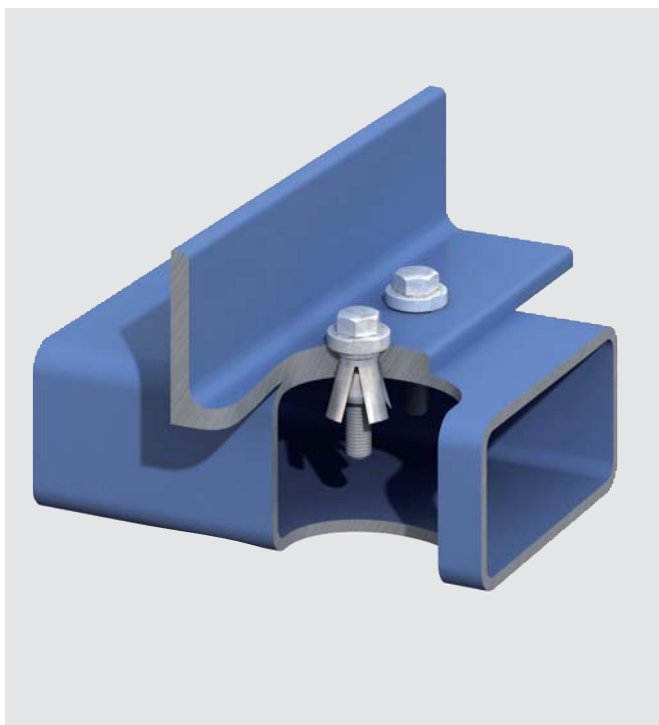


Project: BMW World

Country: Germany

Product: Type HB

Application: Connecting mounting points for the installation of solar panels.





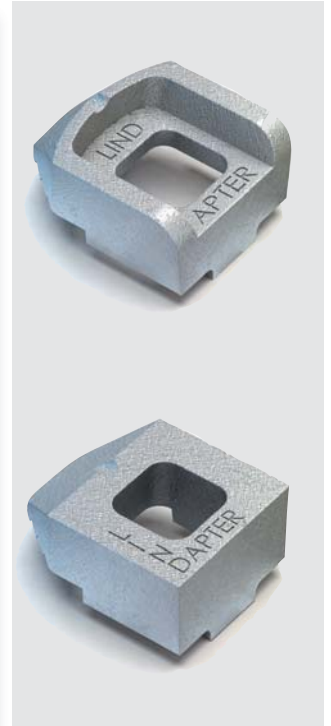
Project: Expo 2005, Nagoya

Country: Japan

Product: Type A & B, Girder Clamp Configuration

Application: Connection of reinforcement steel beams.



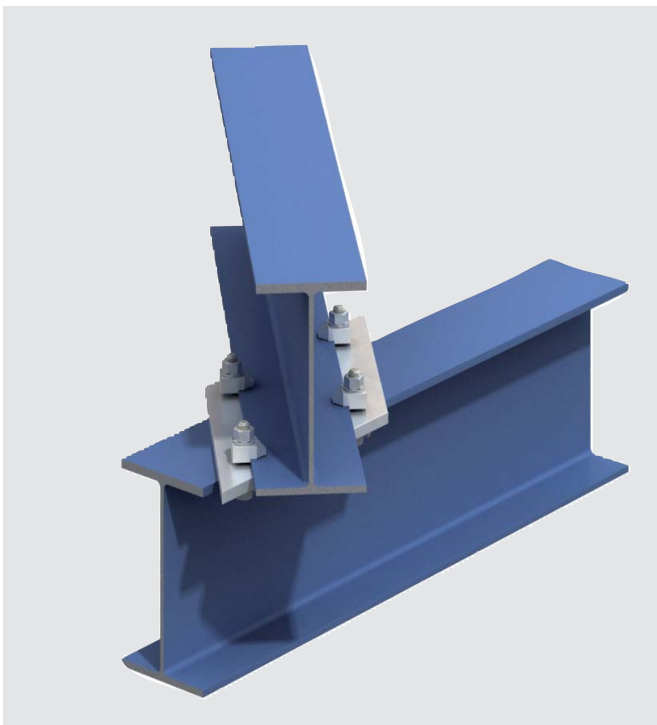


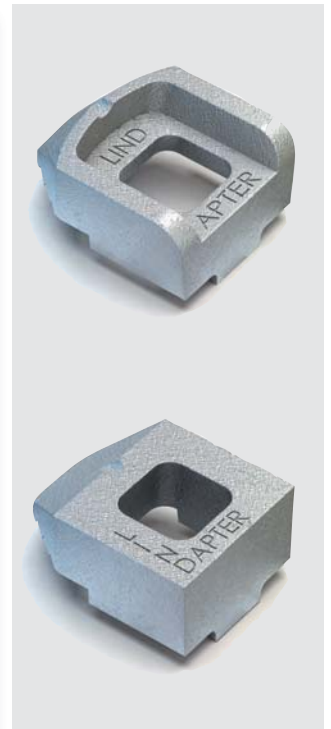
Project: Garmisch Partenkirchen Ski Jump

Country: Germany

Product: Type A & B, Girder Clamp Configuration

Application: Connecting primary steelwork diagonally.



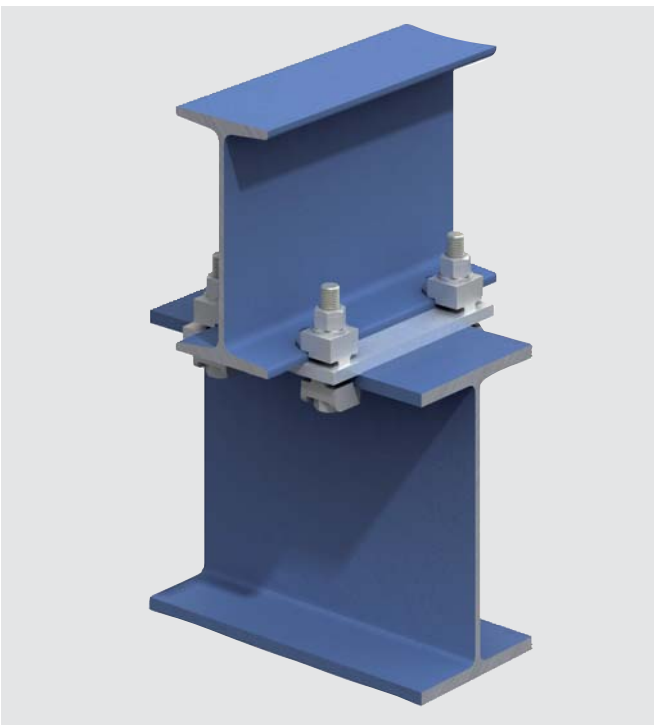


Project: New York Bus Depot

Country: USA

Product: Type A & B, Girder Clamp Configuration

Application: Connecting secondary steelwork to existing structure.





Project: Kimmel Centre for Performing Arts

Country: USA

Product: Type HB

Application: Splicing structural tube section.



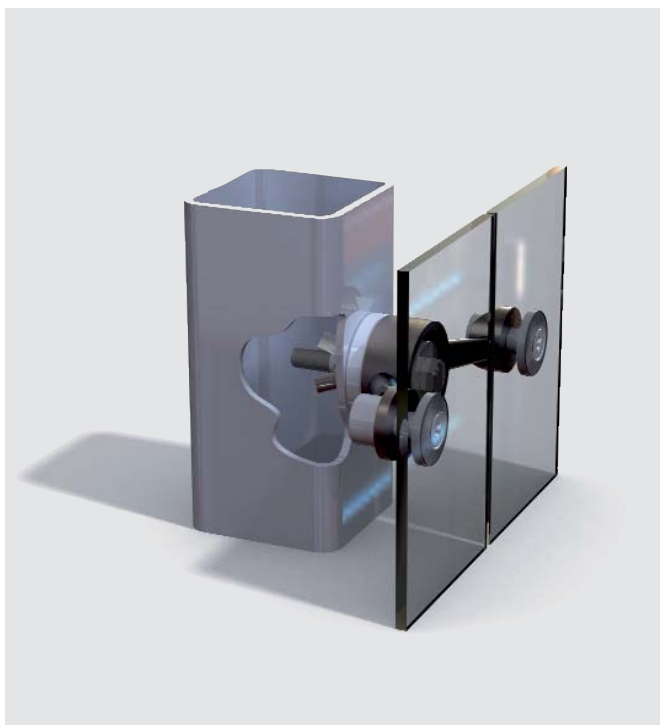


Project: Manchester Crown Square Courts

Country: UK

Product: Type HB

Application: Attaching glass to steelwork frames



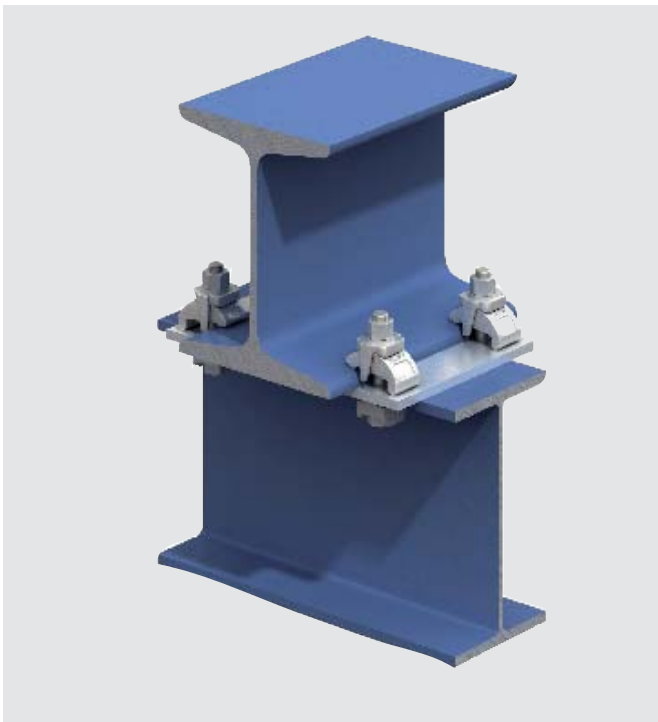


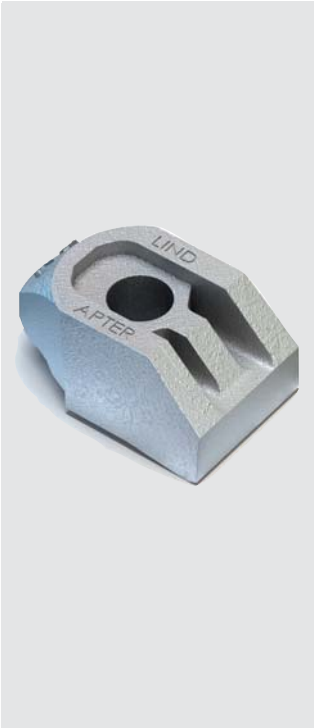
Project: St Davids 2 Shopping Centre, Cardiff

Country: UK

Product: Type LR

Application: Attaching facades to primary steelwork



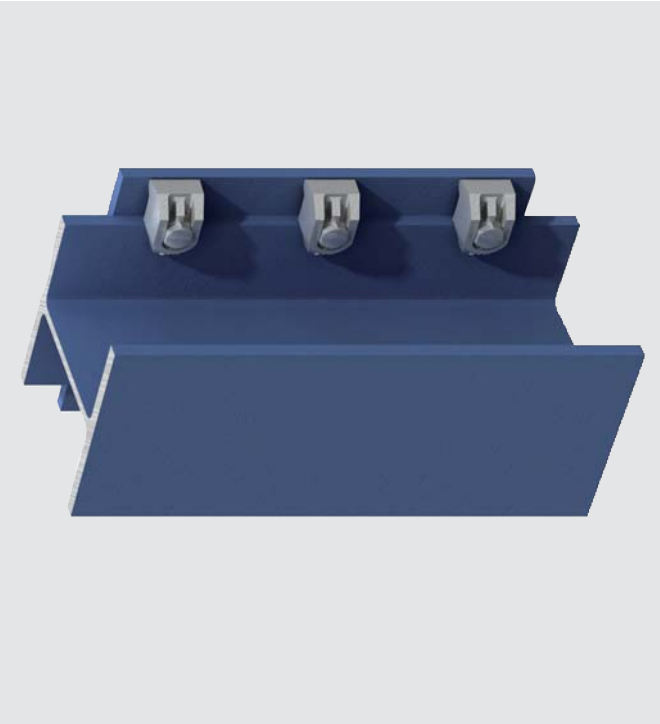


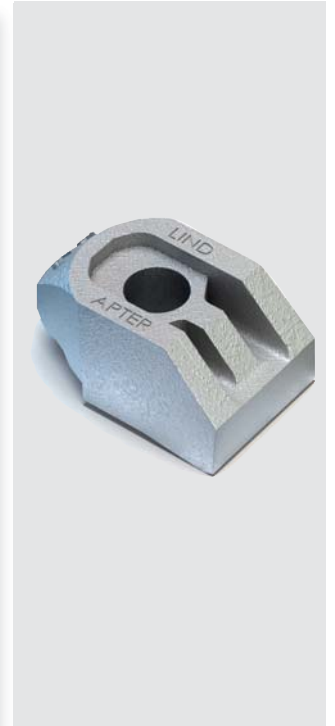
Project: Heathrow Airport Terminal 2

Country: UK

Product: Type AF

Application: Securing walkway to structure



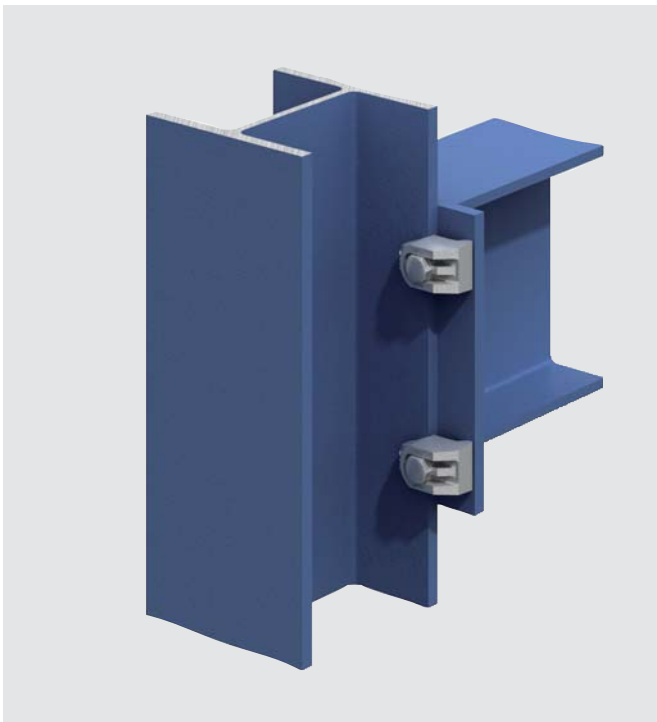


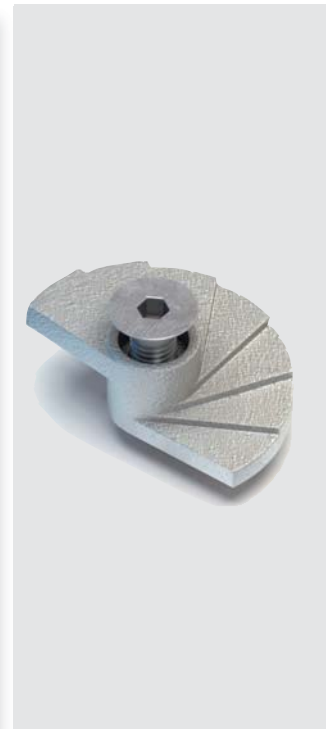
Project: Olympia Exhibition Centre, London

Country: UK

Product: Type AF

Application: Attaching a fall arrest system to primary steelwork





Project: Sandfi Printing, Newcastle

Country: UK

Product: Type FF

Application: Securing Durbar floor to supporting structure



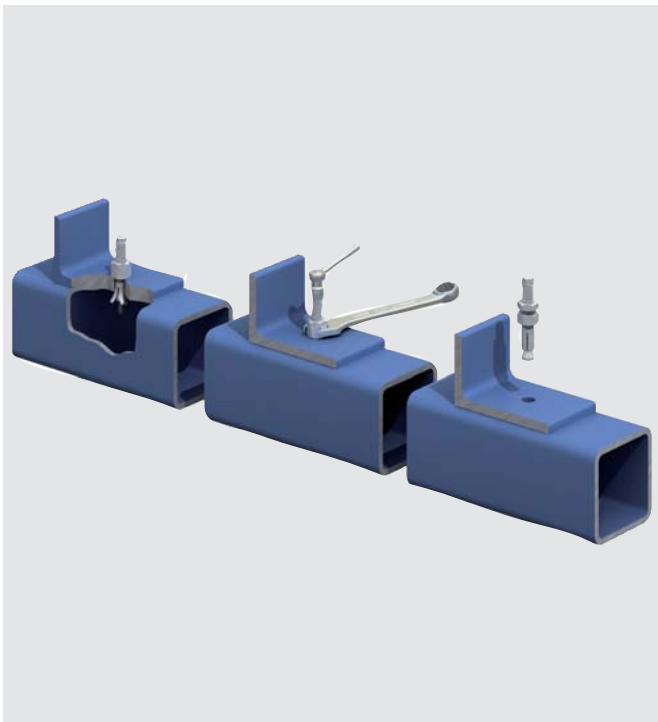


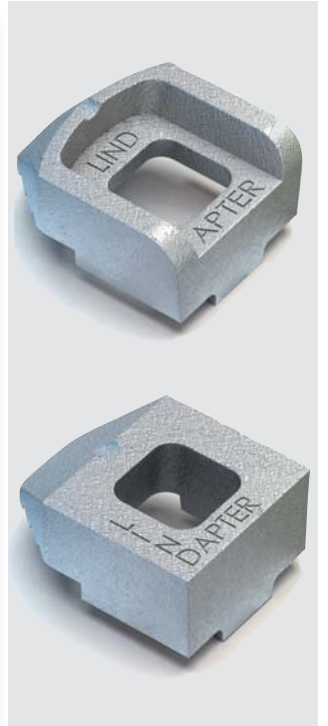
Project: Inland Revenue, Cumbernauld

Country: UK

Product: Type LB2

Application: Cladding Support



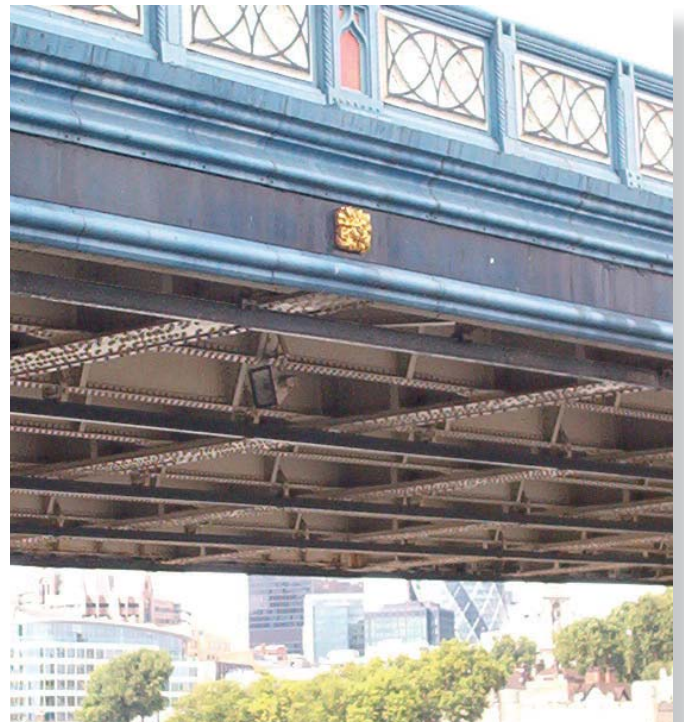


Project: Tower Bridge, London

Country: UK

Product: Type A & B, Girder Clamp Configuration

Application: Attaching monorail s to underside of bridge





Project: Mail Centre, Philadelphia

Country: USA

Product: Type LR

Application: Secondary steelwork connection





Project: M65 Blackburn Bypass

Country: UK

Product: Type HB

Application: Fastening handrail/barriers to RHS footbridge





Project: Bobbahn Winterberg

Country: Germany

Product: Type HB

Application: Splicing of structural tube sections





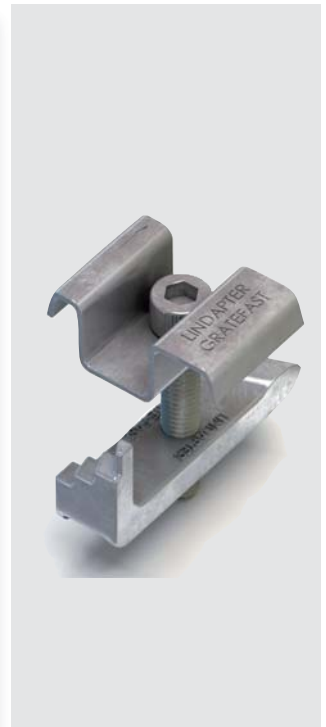
Project: Rose Hill Foundation Conservatory

Country: USA

Product: Type HB

Application: Primary steelwork connections



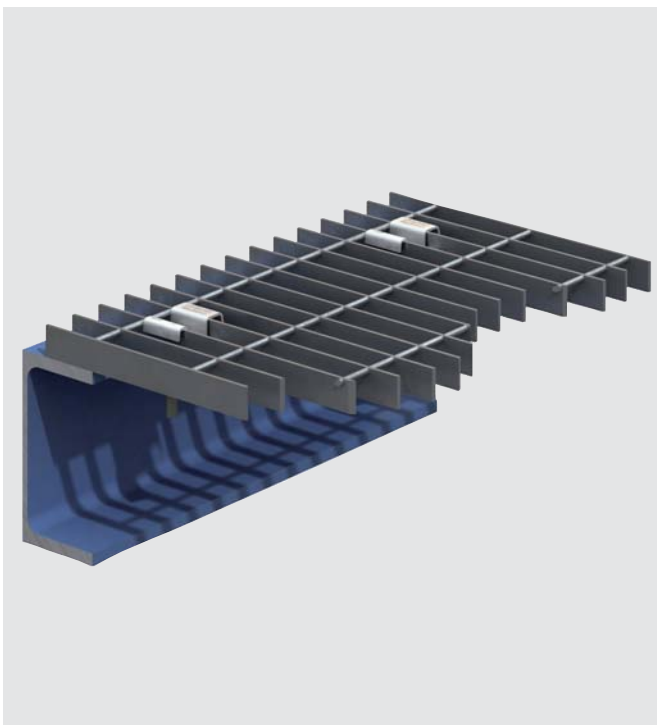


Project: Story Bridge, Brisbane

Country: Australia

Product: Type GF

Application: Fastening down open grating





Project: Eureka Tower, Melbourne

Country: Australia

Product: Type HB

Application: Attaching sculptures to building facade





Project: Intercontinental Resort & Thalasso Spa Hotel

Country: Leeward Islands, French Polynesia

Product: Type HB

Application: Connecting hollow section to supporting pylons





Project: HafenCity, Hamburg

Country: Germany

Product: Type HB Flush Fit

Application: Connecting hollow section to glazing support frame

