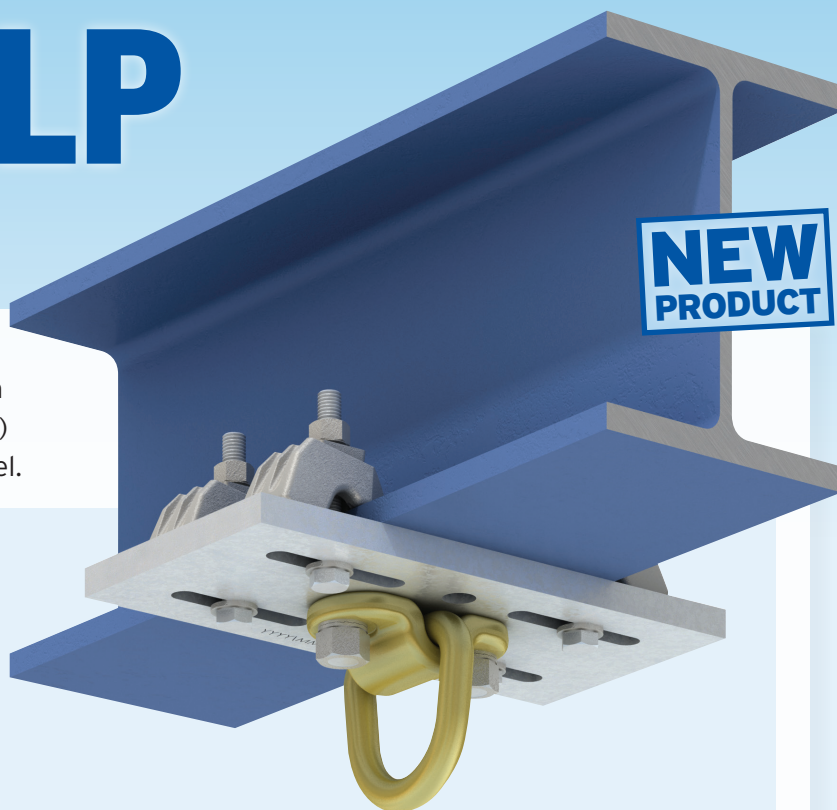


TYPE ALP

by **lindapter**[®]



The Type ALP (Adjustable Lifting Point) is Lindapter's standard rigging and lifting solution that safely support loads up to 3.3 tons (6.6 kip) with a +/- 18° lift angle from the supporting steel.

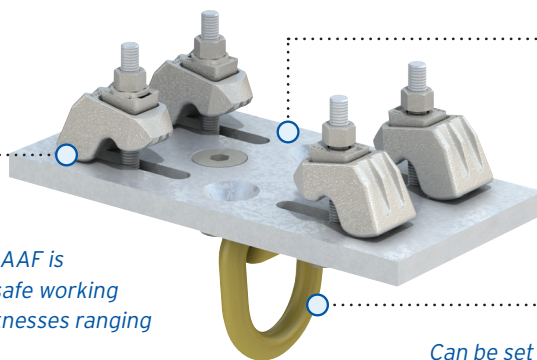
KEY BENEFITS

- ▶ Immediately available 'off-the-shelf'
- ▶ Safe working load up to 3.3 tons (6.6 kip)
- ▶ Adjusts to fit different sized beams
- ▶ For parallel and tapered flanges
- ▶ Versatile and easily repositioned
- ▶ Quick to install using standard hand tools

PRODUCT CONFIGURATION AND TECHNICAL DATA

Type AAF Clamps (x4)
SG iron, HDG

Secures the Location Plate to the supporting steel section. The Type AAF is specifically selected due to a high safe working load and capacity to fit flange thicknesses ranging from 3/16" to 1".



Location Plate
Mild steel, HDG

This plate with slotted holes offers adjustability to suit a range of steel sections from 2 3/4" to 8 1/4" in width.

Load Ring
Forged steel, painted

Can be set to suit the orientation of the lift.

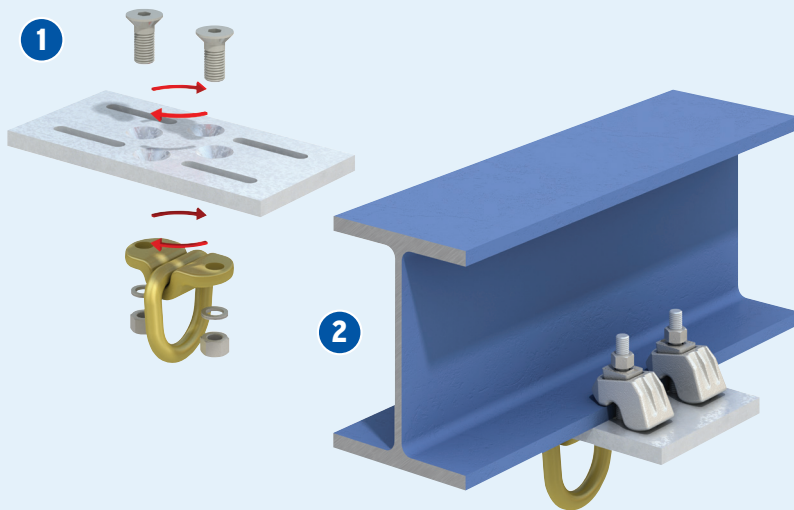
Product Code	Torque Figures				Clamping Range				Safe Working Load (4:1 Factor of Safety)	Max Angle of Load
	Load Ring Countersunk Bolts*		Type AAF Set Screws*		Flange Thickness		Beam Width			
	10.9 Bolt	Torque ft lb	8.8 Bolt	Torque ft lb	Min	Max	Min	Max		
LALP 3T-1	M16 (5/8")	74	M12 (1/2")	66	3/16"	1"	2 3/4"	8 1/4"	6.6 kip	18°

* Metric bolts, nearest imperial / UNC equivalent shown in brackets.

▶ For larger steel sections or heavier loads, please contact Lindapter for custom Lifting Points manufactured to suit individual applications.

Type ALP by lindapter®

INSTALL IN TWO EASY STEPS...



STEP 1

Fix the load ring in the orientation required with the supplied countersunk setscrews and anti-vibration washers then use a calibrated torque wrench to tighten to 74 ft lb.

STEP 2

Offer lifting point assembly up to beam ensuring the plate is located centrally to the beam, loosely secure the clamps then, when happy with the alignment, use a calibrated torque wrench to tighten to 66 ft lb.

CASE STUDY: THE AMERICAN HELICOPTER MUSEUM, WEST CHESTER, PA

The museum needed an assembly strong enough to suspend an Enstrom F28A helicopter from its roof. The helicopter weighed in at over 1.5kips; well within the capability of Lindapter Lifting Points.

This project demonstrates the vast range of applications in which Lindapter's Lifting Point products are used. Connections have also been specified for arenas and theatres in lighting and sound rigging applications, as well as in sports facilities to suspend punch bags and secure temporary seating to name a few.

The benefits of an adjustable, high capacity and easy to remove connection system are transferable to an array of industries beyond Construction and Structural Engineering.

For more case study examples visit the website.

