



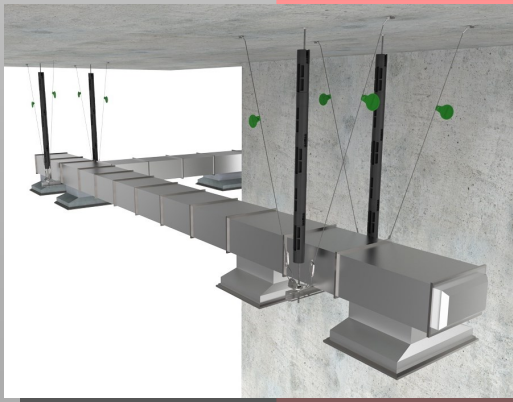
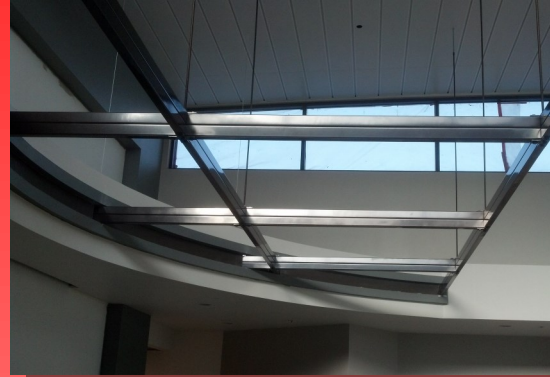
Construction Supply

ENGINEERED SYSTEMS BROCHURE

Design

Fabrication

Installation



www.edgecs.com

EngineeredSystems@edgecs.com

SPOKANE 1503 E. Riverside Ave. Spokane, WA 99202 (509) 535-9841 (800) 348-4808	SEATTLE 5419 Maynard Ave S. Seattle, WA 98108 (206) 764-9488 (800) 348-4808	YAKIMA 812 E. Mead Yakima, WA 98903 (509) 248-1144 (800) 243-5582	EUGENE 490 S. Bertelsen Eugene, OR 97402 (541) 342-3641 (800) 944-0165	MEDFORD 1789 Sage Rd. Medford, OR 97501 (541) 779-0187 (800) 871-3919	BILLINGS 120 Moore Lane Billings, MT 59101 (406) 248-7196 (800) 272-7196	GILLETTE 105 Warren Ave. Gillette, WY 82716 (307) 682-8522 (800) 670-6851	BOISE 2000 Century Way Boise, ID 83709 (208) 377-0158 (800) 528-5118	IDAHO FALLS 760 W. Broadway Idaho Falls, ID 83402 (208) 522-7082
---	--	--	---	--	---	--	---	--

Edge Engineered Systems Fact Sheet

Edge Engineered Systems department has over 30 years experience in providing solutions for Unistrut framing systems, permanent fall protection systems, seismic bracing, equipment vibration isolation, Lindapter connections and other designed systems.

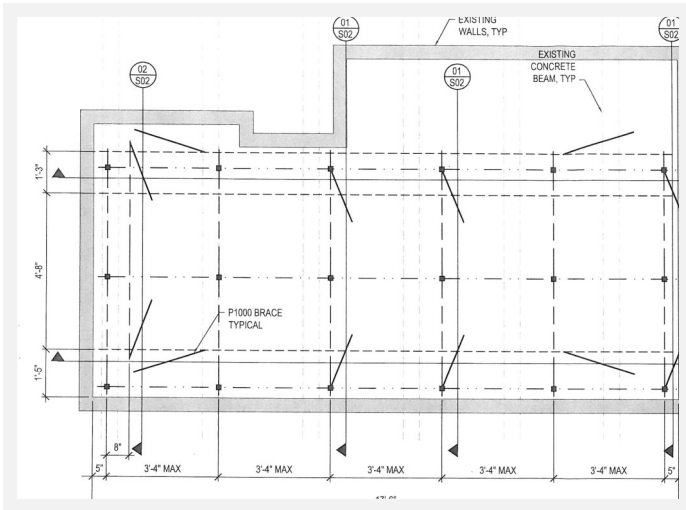
Edge has the ability to custom-design solutions to meet your unique specifications. We are flexible and easy to work with. We can provide full “Turn-Key” engineered solutions or custom material quotes and everything in between.

- **Unistrut Designs, Permanent Fall Protection, Seismic for MEP**
- **The ability to CUSTOM-DESIGN solutions to meet your unique specification needs**
- **Over 30 years experience**
- **Choose from a VARIETY OF SERVICES including job takeoffs, custom quotes, design, engineering, pre-fabricated assemblies & installation**
- **VARIOUS MATERIALS & FINISHES: cold-rolled steel, stainless steel, aluminum, fiberglass, green, pre-galvanized, hot-dip galvanized, plain, powder coated and other finishes**
- **We will CUT AND/OR ASSEMBLE strut frames to your specifications**
- **Ask about LEED points**
- **Ask about 100% US-MADE PRODUCTS**
- **Call for a quote today**



www.edgecs.com

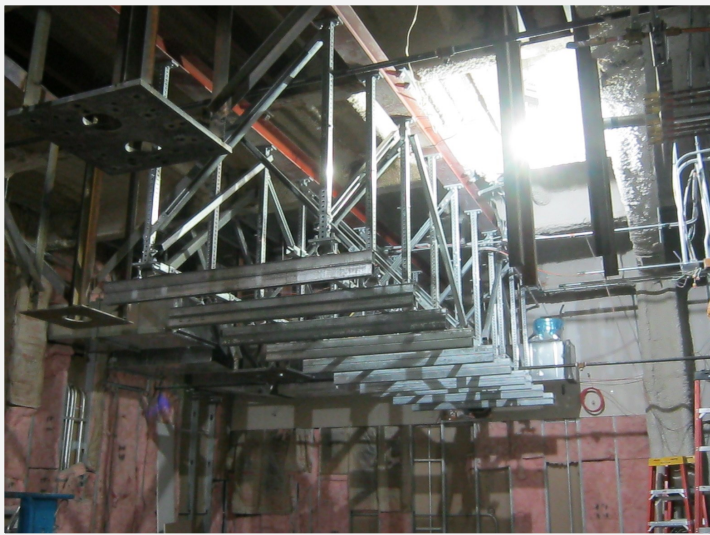
Unistrut® Medical Equipment Mounts



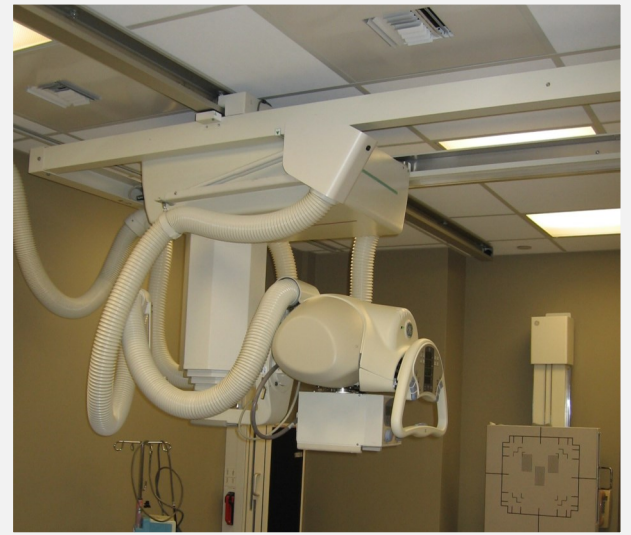
CAD layout detail specifically for each projects structure



Unistrut Framing designed for attachment to all kinds of structures



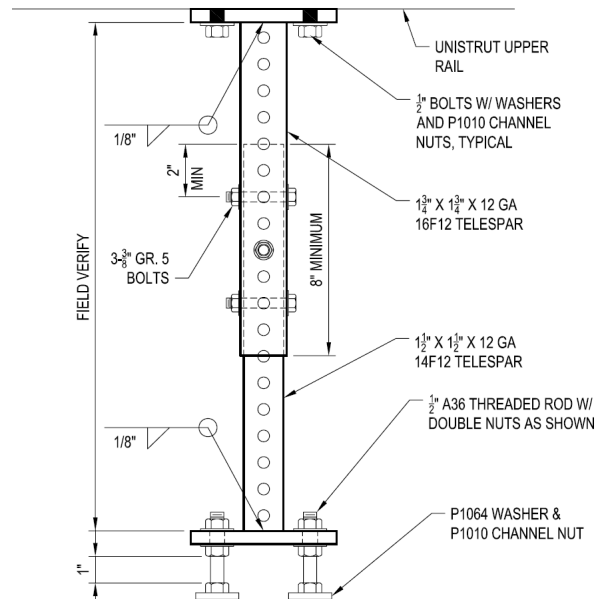
Unistrut framing ready for hanging X-Ray system



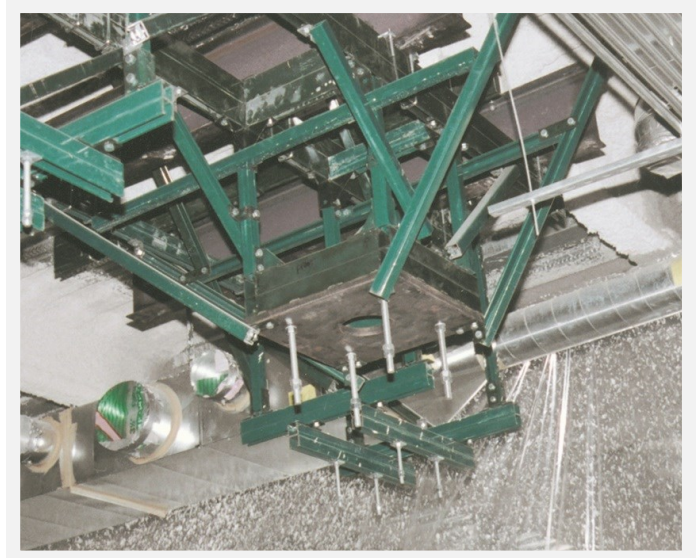
*Finished X-Ray system
Hanging from unseen Unistrut*

- **X-RAY** equipment support systems
- **PATIENT LIFT** supports
- **BOOM** supports
- **Variety of options for SURGICAL LIGHT supports**

Unistrut® Medical Equipment Mounts



Telespar Adjustable Drop Design



Unistrut Boom Support



Unistrut Light Support



Unistrut Medical Equipment Support

- **Adjustable TELESPAR drops - design option available for heavier load capacity and vertical adjustability**
- **Designs can include SEISMIC requirements based on local jurisdiction**
- **Ask about CPGE55 white rails, trolleys, and attached angle for ceiling tile**
- **POWDER COATINGS, trolleys, and closure strips available**

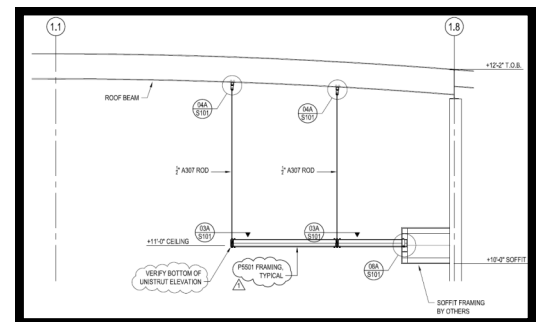
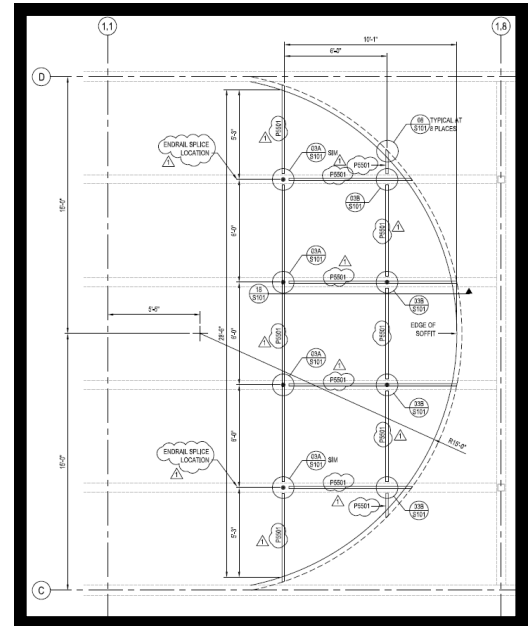
Unistrut® Architectural & Ceiling Grids



Powder coated ceiling grid in foyer



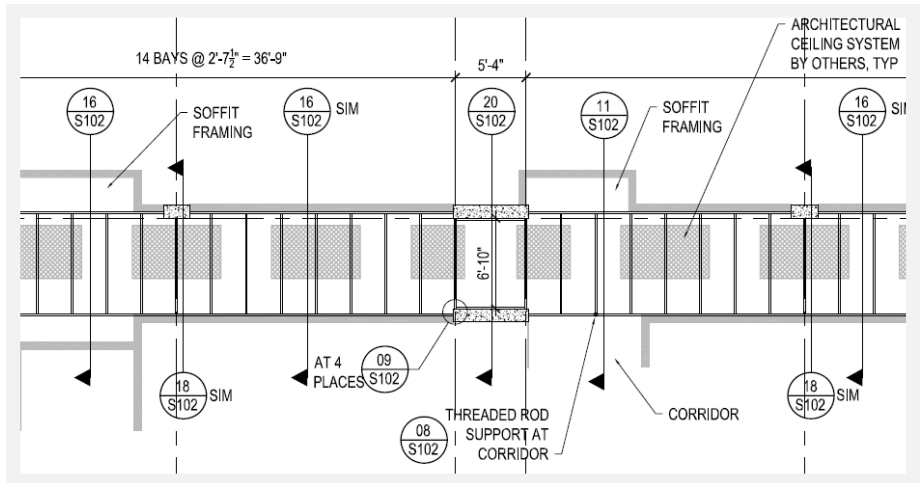
Ceiling grid in YMCA



*Custom structural connections
unique to each building*

- **Foyers, hallways, lobbies, lecture halls, art rooms, waiting areas, convention centers,...**
- **Custom colors and finishes available**

Unistrut® Architectural & Ceiling Grids



Plan view of acoustical panel connection in hallway

Architectural grids for supporting acoustic ceiling, cable trays, plumbing & conduit



Architectural grids in University lecture hall before completion

- **Can double as structural support for conduit, acoustic panels, plumbing, cable trays,...**
- **Attaches to virtually any overhead structure including a sloped structure**
- **Grid can accommodate slopes (and different elevations)**

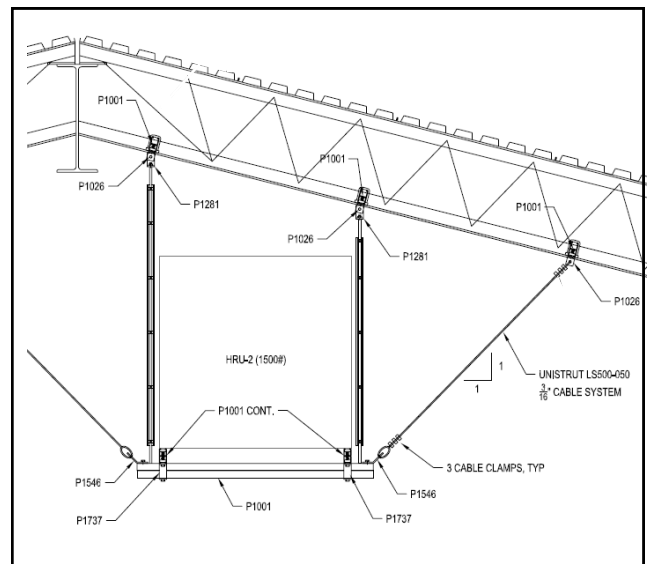
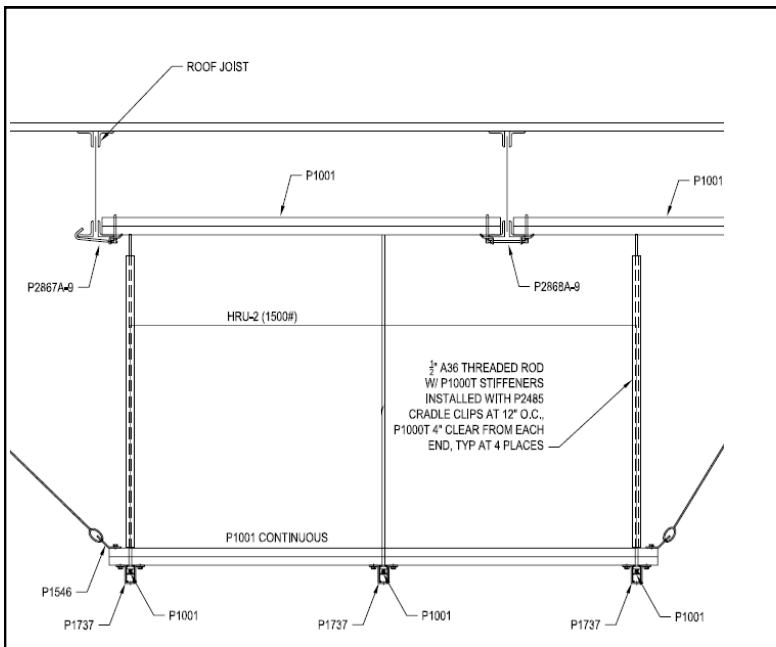
Unistrut® Overhead Supports



Unistrut frame & grating suspended from overhead structure to access mechanical equipment



Heat pump support with seismic bracing



Overhead equipment support suspended from joist with seismic bracing

- **Clean & Secure overhead supports**
- **Rigid & cable seismic bracing options available**

Other Unistrut® Custom Designs



Unistrut in underground pipe/utility tunnel



Island and wall shelving with base secured to concrete floor



Catwalk System



Modular Unistrut shelving for mobile applications

- **Laboratory shelving, overhead supports, island shelving,...**
- **Providing custom sheet metal parts to match Unistrut**
- **Ask your Edge Rep about installation and pre-fabricated systems**

Other Unistrut® Custom Designs



Solar Panel Framing



Rooftop Equipment Support



Rooftop ducting H-Frame supports



Unistrut Railing for Stairs and Walkways



Awning Support

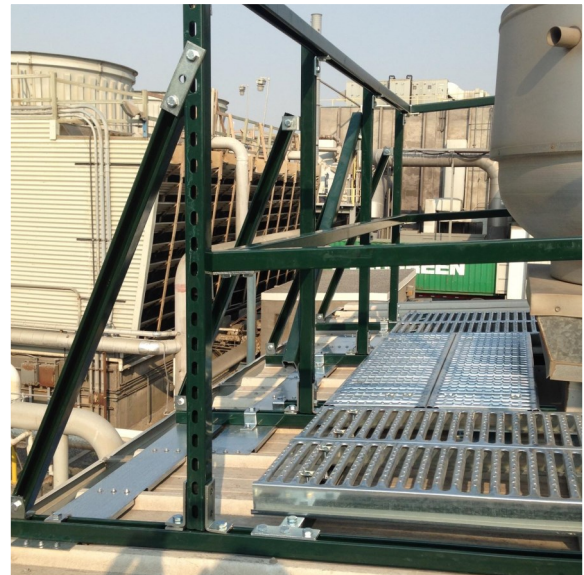


Solar Rooftop Support with Unistrut & Telespar

Unistrut® Walkway Grating & Rooftop Platforms



Walkway Grating



Rooftop Platforms with Grating



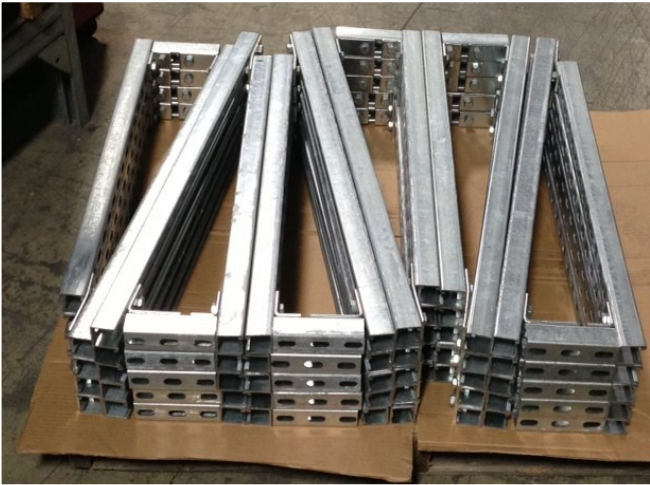
*Rooftop walkway grating & platform
to access mechanical unit*



Rooftop walkway with railing

- **Provide a safe walkway for traffic**
- **Protects roof from foot traffic**
- **Easily attaches to all metal standing seam roofs**

Unistrut® Prefabricated Systems



Custom cut and assembled



Pre-assembled Pipe Racks



*Ready for shipment with fasteners
for attachment to structure*



Pre-assembled 3D Frame

- **Prefabricated Unistrut cut and assembled to your unique specifications**
- **Preassembled in manageable sizes**
- **Onsite installation available**

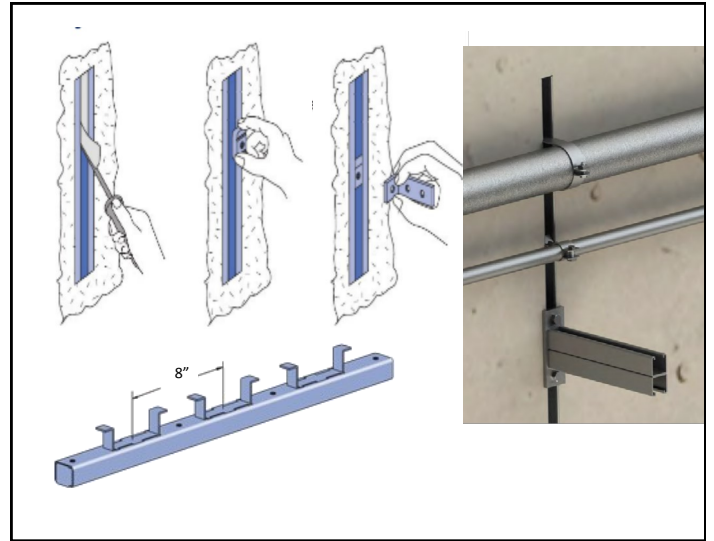
Unistrut® Prefabricated Systems



Assembled Unistrut frames for piping & conduit installed in manufacturing facility



Close-up of installed Unistrut frames



Concrete inserts

- **Trapeze supports for MEP**
- **Partial assembly at fab shop shipped to project for final install**
- **CONCRETE INSERTS cut, stuffed and capped to required length**

Engineered Seismic Bracing



Gripple and Unistrut seismic bracing



Unistrut grid braced with Gripple seismic cable



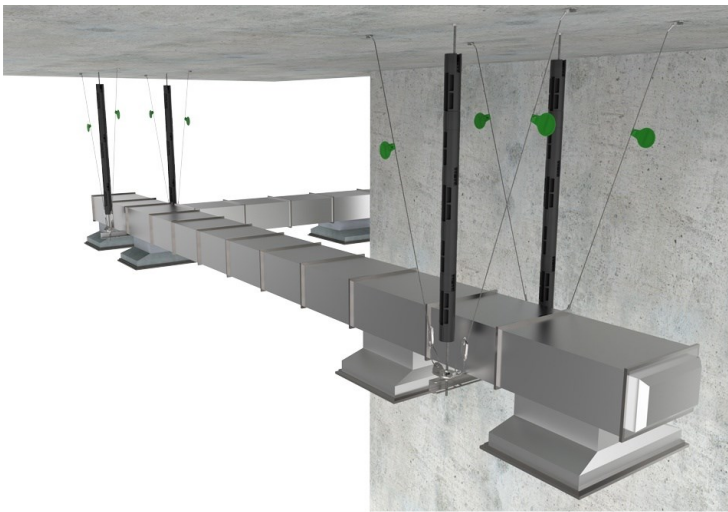
Gripple cable bracing pipe



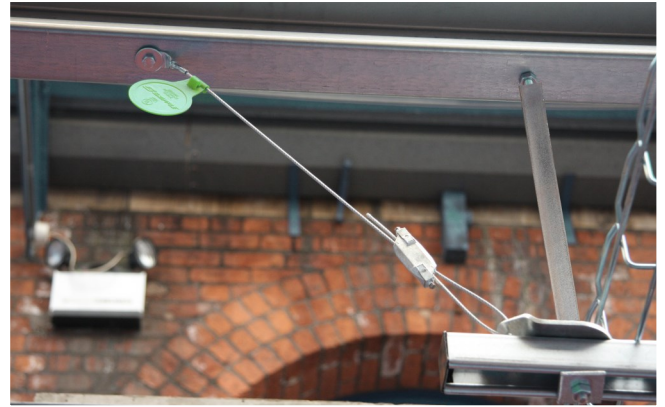
Unistrut rigid seismic bracing

- **Seismic cable bracing**
- **Unistrut channel options**
- **Engineering & design drawings available**

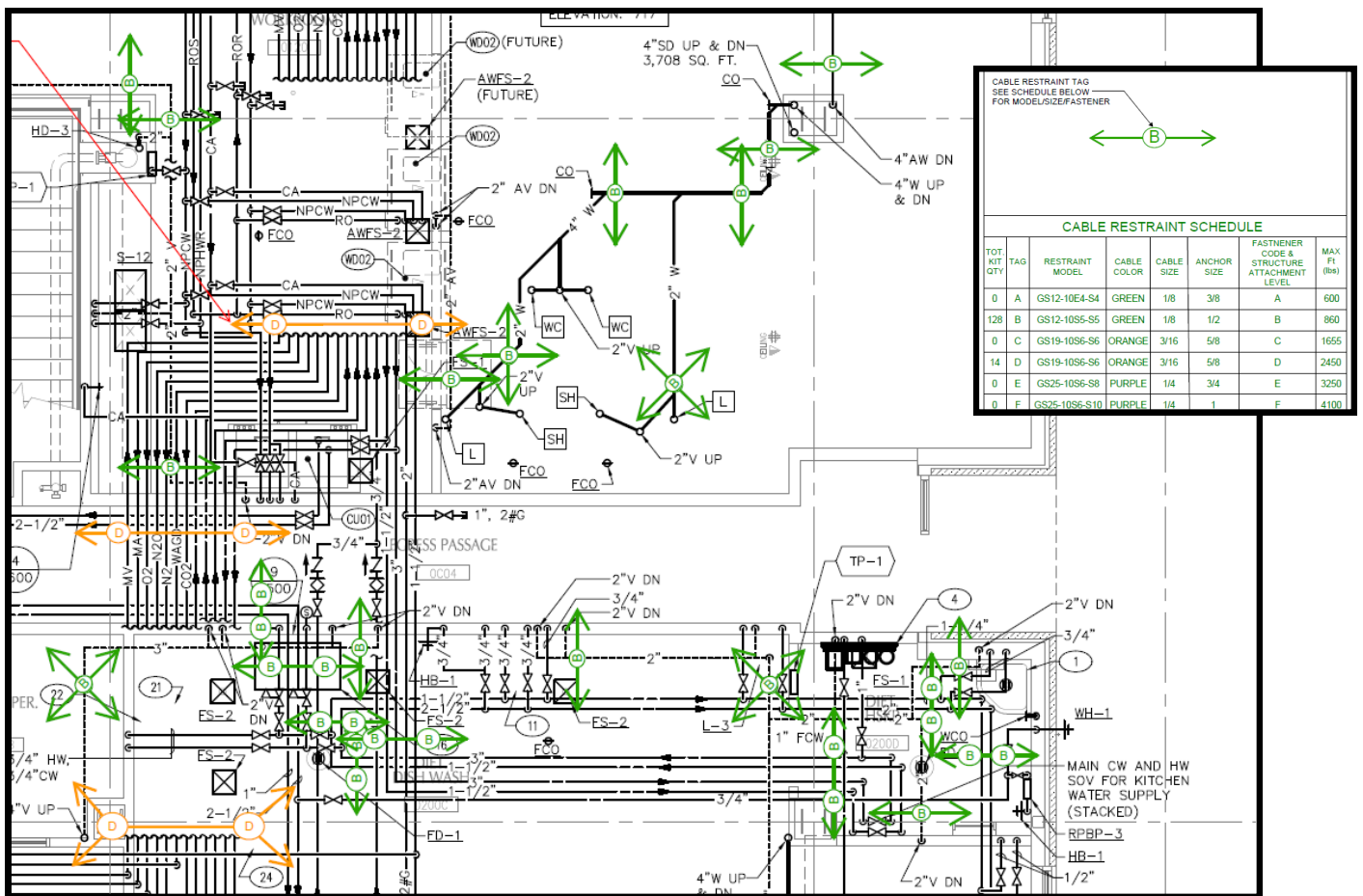
Engineered Seismic Bracing



Seismic bracing in overhead cement



Seismic bracing in steel



Example seismic drawing showing Gripple bracing in green

Engineered Fall Arrest & Fall Restraint Systems



Ladder cable safety systems



Rooftop horizontal cable systems



Horizontal lifeline on building exterior

- **Attach to roof, wall, overhead, ladder,...etc**
- **Horizontal lifelines or single point tie offs**



Railcar fall protection systems

Engineered Fall Arrest & Fall Restraint Systems



Horizontal fall protection lifeline at dam



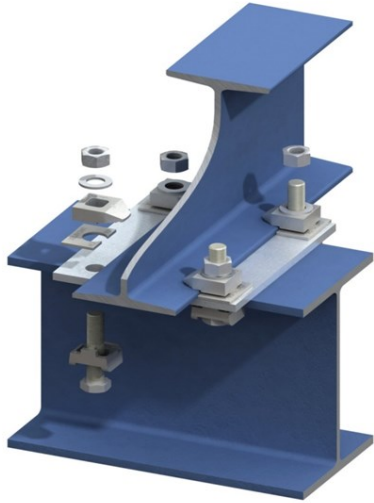
Rooftop fall protection system on standing seam metal roof



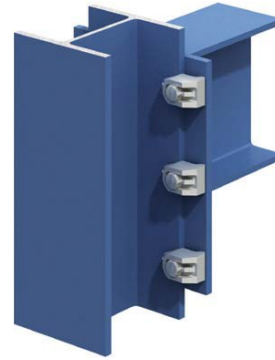
Engineered fall protection system inside dam turbine house

- **Ask for a job quote**
- **Materials, design, and/or stamped engineering available**
- **Yearly inspections available**

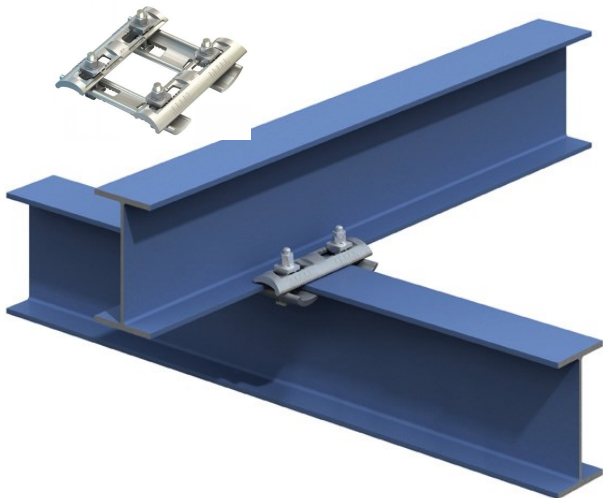
Lindapter® Structural Steel Connections



*Exploded view of
Girder Clamp Connection*



Various Steel Connections



Off-the-shelf Highly adjustable Flush Clamp



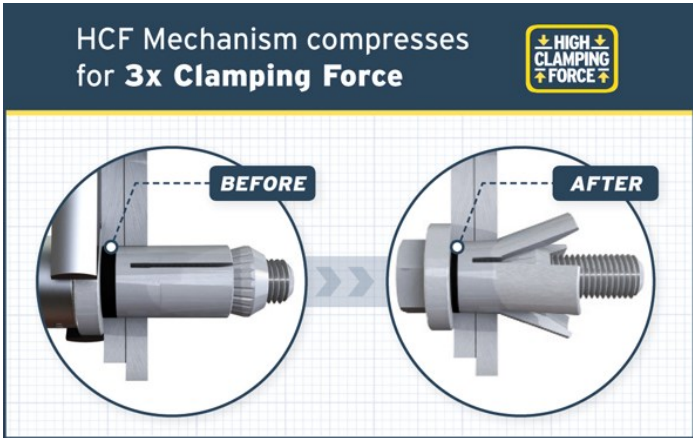
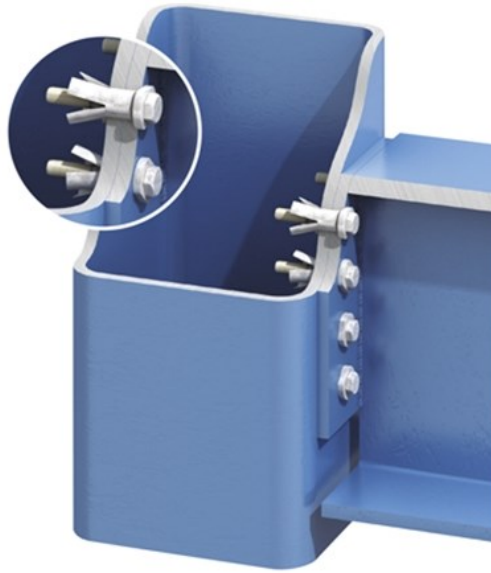
Secure to any structure



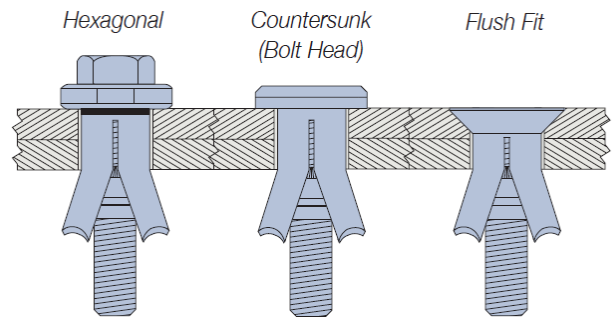
*Example of installed girder
clamps in hospital*

- **Custom designs available**
- **Free assembly drawings available for girder clamp connections**
- **Only hand tools required for installation (no welding)**
- **Reduced design time and site adjustable**
- **Guaranteed capacities and third party approvals**
- **NO on-site drilling or welding for girder clamps**

Lindapter® Hollo-Bolt Connections



The original expansion bolt for structural steel
Material & Finish Options: Available in Zinc, Hot-Dipped Galvanized, 316 Stainless Steel & other finishes



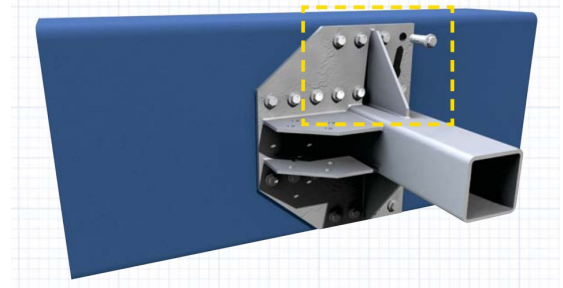
Multiple head styles



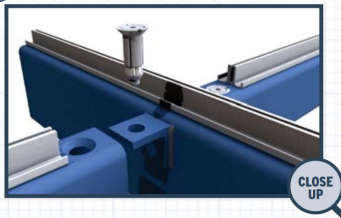
TYPICAL HOLLO-BOLT APPLICATIONS

- Structural Frames
- Glazing and Roofs
- Staircases and Handrails
- Balconies and Canopies
- Façades and Cladding
- Towers and Masts

Most Common Uses

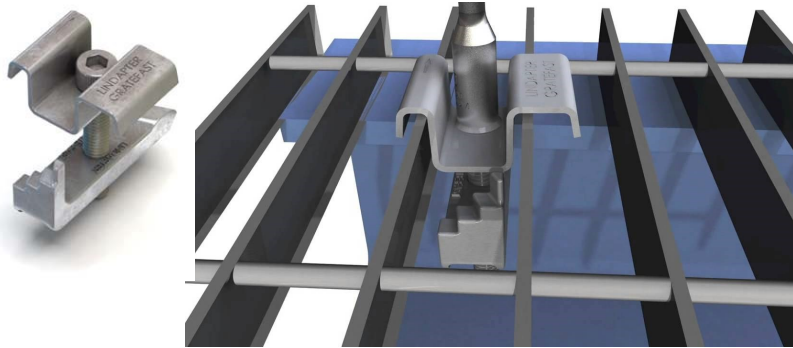


- **ICC-ES Full Seismic Approval Categories A-F (ICC-ES, ESR-3330)**
- **LARR - Hollo-bolt Receives Los Angeles City Research Approval**



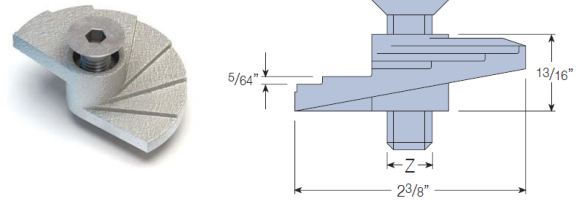
Other Lindapter® Products

Grate-Fast

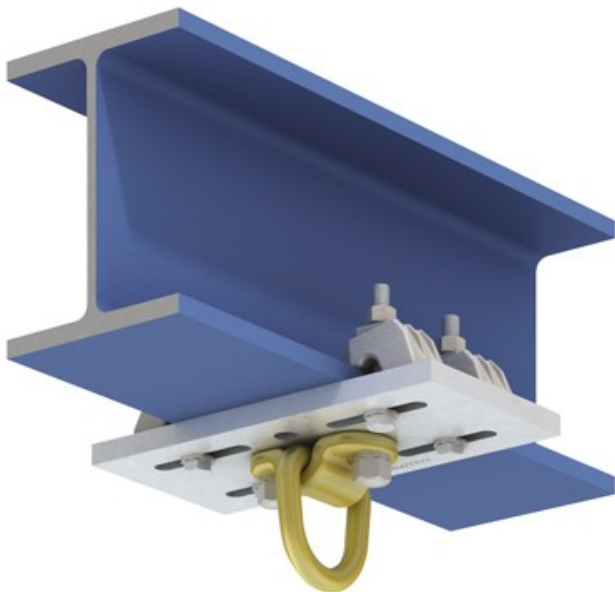


*Secure bar grating without
Accessing the under side*

Floorfast



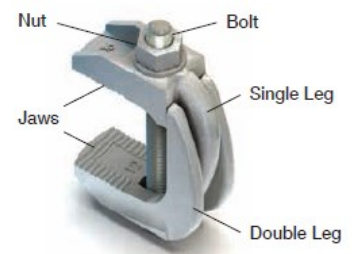
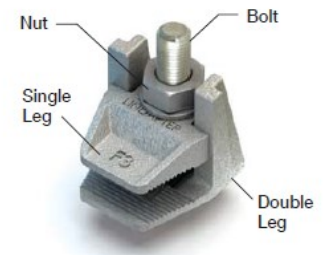
*Secure diamond plate without
Accessing the under side*



ALP: Adjustable Lifting Point



*Beam clamp to drop
All-Thread from structures
with compound angles*



Wide mouth beam clamps

- **Quick and easy to install**
- **Secure floor or grating with a single tool**
- **ALP System ready directly from the shelf**
- **Ask about other unique Lindapter products**

Edge Engineered Systems Information & Quote Sheet

Fax to 509-534-3139 Attn: Engineered Systems or email to engineeredsystems@edgecs.com

Instructions: Fill out what you can and leave blank if you don't understand. Feel free to call or email us if you'd rather discuss the details over the phone or by email.

Customer Name & Info (Company name, address & phone) _____

Timing: When do you need quote by/ Start date of job / when is material needed...?

Location: Where is the location of the project?

Contact: How do we contact you (email, phone, fax...)?

Type: What type of system is it (Unistrut X-ray frame, Unistrut ceiling grid, Unistrut pre-fabricated racks, permanent fall protection, seismic bracing, aluminum railing, or other)?

Details: Do you have drawings, specs, or sketches you can send?

Material List/Takeoff: If you have drawings, do you have a material list or do we need to perform a take-off?

Services Wanted: What should we quote (material, engineering, pre-fabrication and/or installation...)?

Engineering: Will you need engineering with a specific state PE stamp?

More Details: Can you briefly describe any other details of the scope of the project we are to bid (access to site, special handling, detailed specifications)?

Finish: Any special material or material finish?

Loading: Do you have structural load requirements (also, are there seismic requirements)?

Manufacturer: Do you have any brand/manufacturer requirements?

US Made/CoC: Does the product need to be US made or need Certificates of Conformance?

LEED: Do you have LEED requirements?

Other: Is there anything else you'd like to share to help us quote your project?

800-348-4808
www.edgecs.com
engineeredsystems@edgecs.com