

Pole Cat

MAST ARM / LUMINAIRE SIGN MOUNTING BRACKET SYSTEM



Bracket can be used on Horizontal – Mast Arms & Vertical posts – Luminaires, (with round or flat sides).



Pole Cat can also be used for back-to-back sign installations.



Bracket has 25° of adjustment to correct for your inclined mast arms.



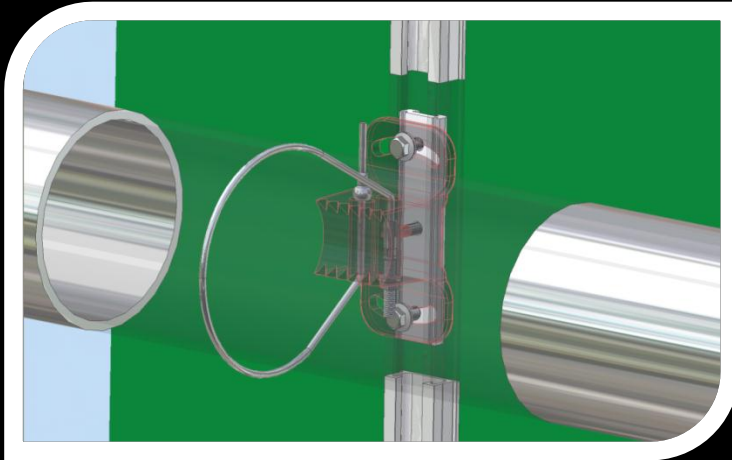
Installation is simple, yet versatile.



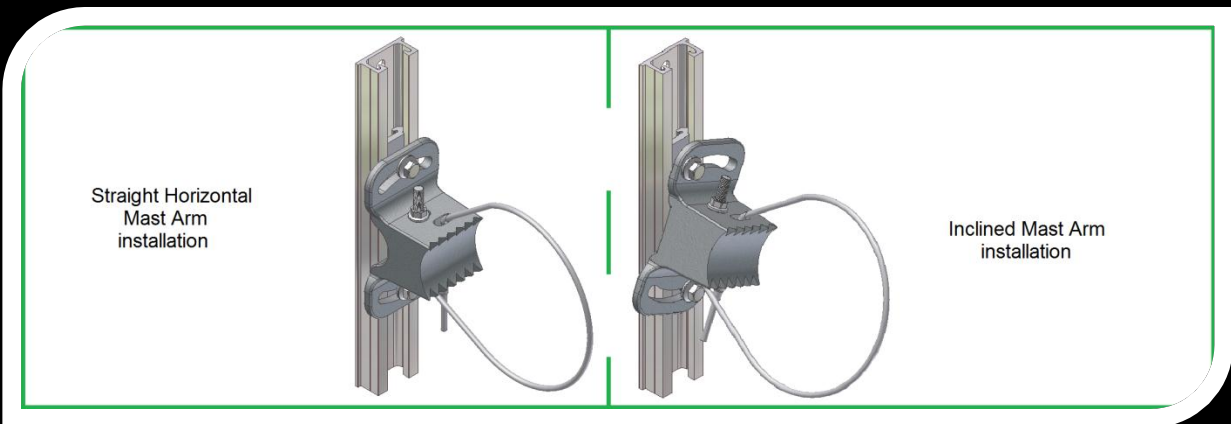
www.x-sqrd.com

Pole Cat

MAST ARM / LUMINAIRE SIGN MOUNTING BRACKET SYSTEM



Pole Cat works with Flat Panel as well as Extruded Panel signs.



3/16" stainless steel cable is 4 times stronger than standard 3/4" x .030" SS banding.

QUANTITY SELECTION TABLE

SIGN HEIGHT IN FEET	10'	3	3	4	5	6							
	9'	3	3	3	4	5	6						
	8'	3	3	3	4	5	6						
	7'	3	3	3	4	4	5	6					
	6'	2	2	2	3	4	4	5	6	6			
	5'	2	2	2	2	3	4	4	5	5	6		
	4'	2	2	2	2	2	3	4	4	4	5	5	6
	3'	1	1	1	2	2	2	3	3	3	4	4	4
	2'	1	1	1	2	2	2	3	3	3	3	4	4
	1'	1	1	1	2	2	2	3	3	3	3	4	4
		1'	2'	3'	4'	5'	6'	7'	8'	9'	10'	11'	12'

120 MPH WINDLOAD CAPABILITIES BASED ON AASHTO STANDARD SPECIFICATIONS FOR STRUCTURAL SUPPORTS FOR HIGHWAY SIGNS, LUMIAIRES AND TRAFFIC SIGNALS, 5TH EDITION, 2009.